

ClarkDietrich Sound Clip Installation Guide

FURRING CHANNEL:

7/8" 25-gauge hemmed furring channel (7/8" fur, 1-1/4" top & 2-23/32" bottom)

- When splicing, drywall furring channel should have 6 inch overlap in mid span (between two clips) secure with 18ga tie wire, or two 7/16" framing screws. If using in a fire-rated UL application; use only tie wire and no screws.

CLARKDIETRICH SOUND CLIP:

3" x 1-1/4" (clip only) maximum spacing 48" o.c. and maximum design load is 36 lbs.

FASTENERS:

- CDSC to Wood: 64mm (2-1/2") # 8 minimum size coarse thread screw. (Recommended #12 or #10 x 2-1/2" hex head)
- CDSC to Steel: 38 mm (1-1/2") # 8 minimum size fine thread screw. (Recommended #12 or #10 x 1-5/8" hex head)
- CDSC to Concrete or CMU: 1/4" drop-in anchor, 1/4" drive spike, 3/16" x tapcon, shoot in pin with washer, or product with equal load capabilities (Minimum 120 lbs Ultimate, Shear and Pullout). Length of fastener determined by the concrete type, strength, and fastener minimum embed requirements.
- DO NOT attach CDSC to framing members with nails; use only approved screws.

WALLS: ONE AND TWO LAYERS OF 5/8" GYPSUM BOARD

- ClarkDietrich Sound Clip (CDSC) shall be 48" maximum o.c. (horizontal).
- Fasten the CDSC to the substrate with a fastener approved for a minimum pull-out and shear of 120lbs.
- Locate the first row of CDSC within 3-6 inches from the floor and within 3-6 inches from the top track, making sure the clip is attached to the studs and not the track.
- Snap in the drywall furring channel into the CDSC clips (horizontal for walls).
- Place 1/4" (minimum) shim on floor to fully support the gypsum board.
- Install the gypsum board from the bottom up leaving a 1/4" minimum gap around the perimeter of the wall.
- ONLY remove the shims after ALL the gypsum board is completely screwed to ALL the drywall furring channels. Make sure every screw (floor-to-ceiling and wall-to-wall) is installed as required by the assembly design, in every layer of gypsum board before removing the shims at the floor. The shims are critical to ensure best results.
- Caulk around the entire perimeter of the gypsum board. Use fire and smoke rated acoustical sealant where required.

CEILINGS: ONE AND TWO LAYERS OF 5/8" GYPSUM BOARD

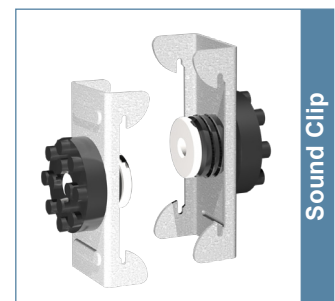
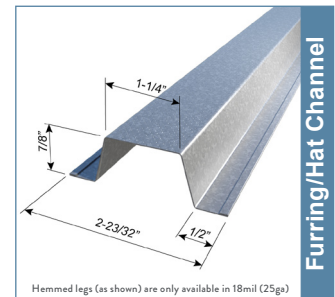
- CDSC shall be 48" maximum o.c.
- Fasten the CDSC to the substrate with a fastener approved for a minimum pull-out and shear of 120lbs.
- Locate the first row CDSC clips within 8" of the wall at each end of a run.
- Snap in the drywall furring channel into the CDSC clips. Channel max spacing at 24" o.c.
- Install the gypsum board from leaving a 1/4" min. gap around the perimeter of the ceiling.
- Caulk around the entire perimeter of the gypsum board. Use fire and smoke rated acoustical sealant where required.

GENERAL INFORMATION:

- Refer to www.UL.com, or www.clarkdietrich.com for complete installation details on all fire resistive assembly designs.
- ClarkDietrich Sound Clips, furring channel and gypsum board shall not carry heavy loads such as cabinets or bookshelves.
- Seal all potential air leaks with non-hardening acoustical caulking to achieve best noise control results. Use fire rated sealant where required.

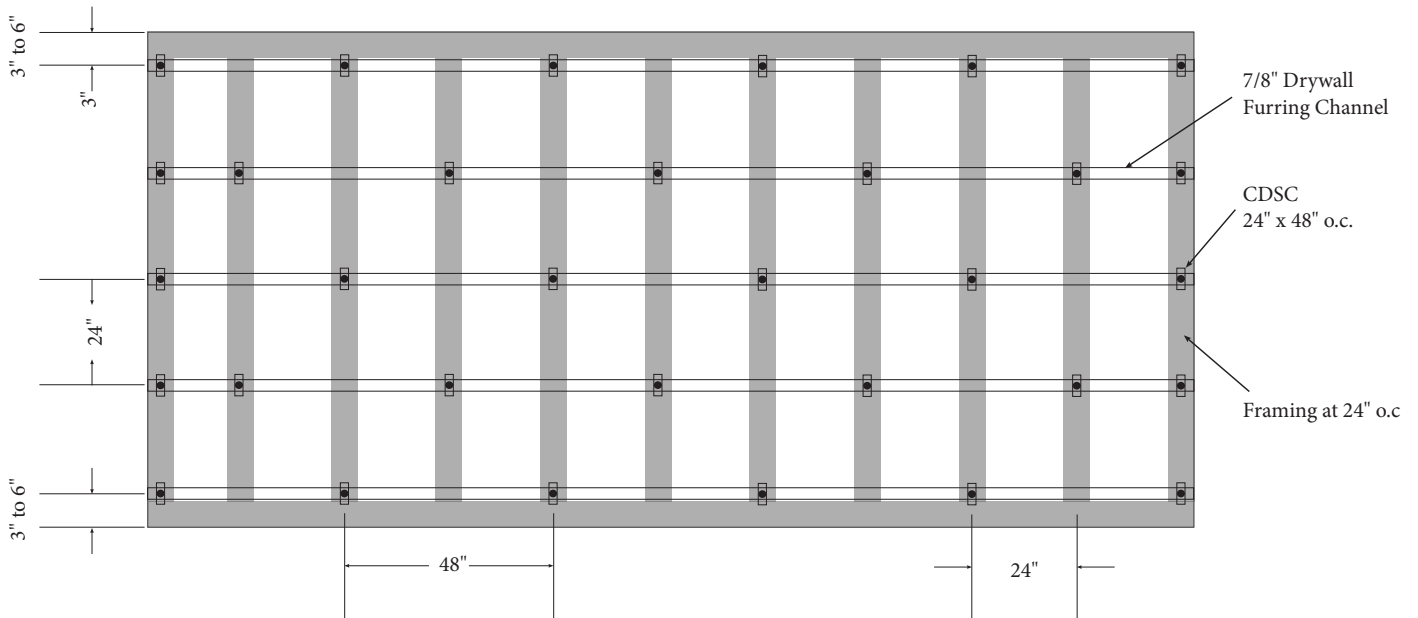
FIRE TEST INFORMATION:

Visit clarkdietrich.com for the latest fire testing approvals and updates.



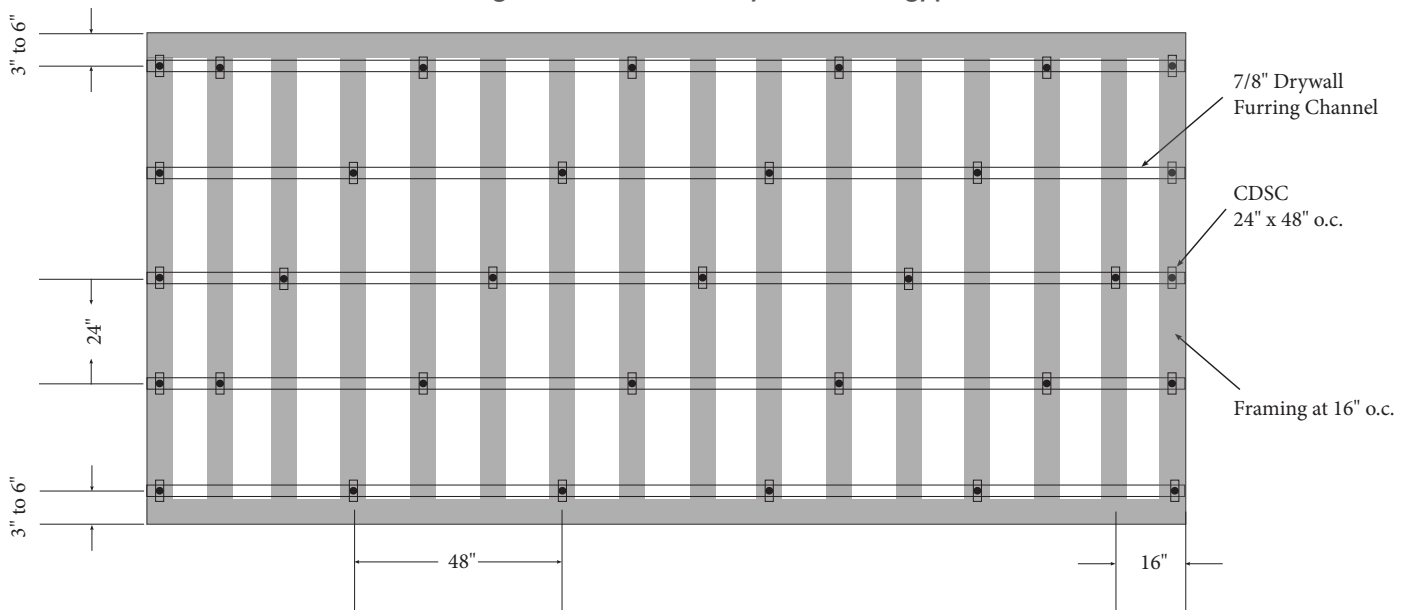
**WALL AND CEILING INSTALLATION GUIDE
FOR WOOD OR STEEL FRAMING WITH FURRING ON 24" CENTERS**

Wall or Ceiling framing at 24" o.c.,
CDSC at 48" o.c., furring at 24" o.c., 1 or 2 layers of 5/8" gypsum board



NOTE: DRAWING NOT TO SCALE

Wall or Ceiling framing at 16" o.c.,
CDSC at 48" o.c., furring at 24" o.c., 1 or 2 layers of 5/8" gypsum board



NOTE: DRAWING NOT TO SCALE