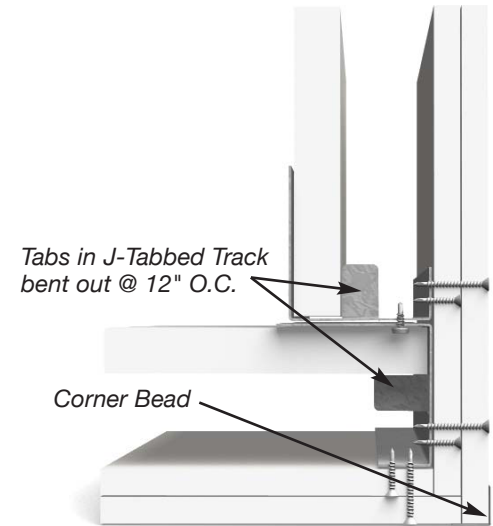
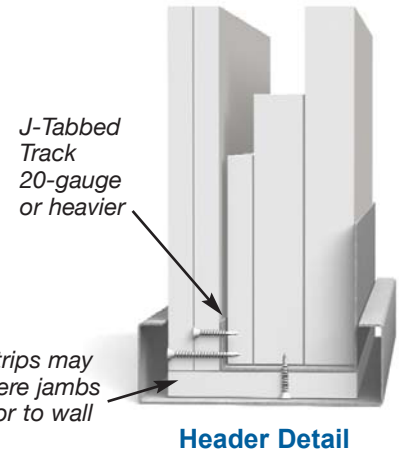
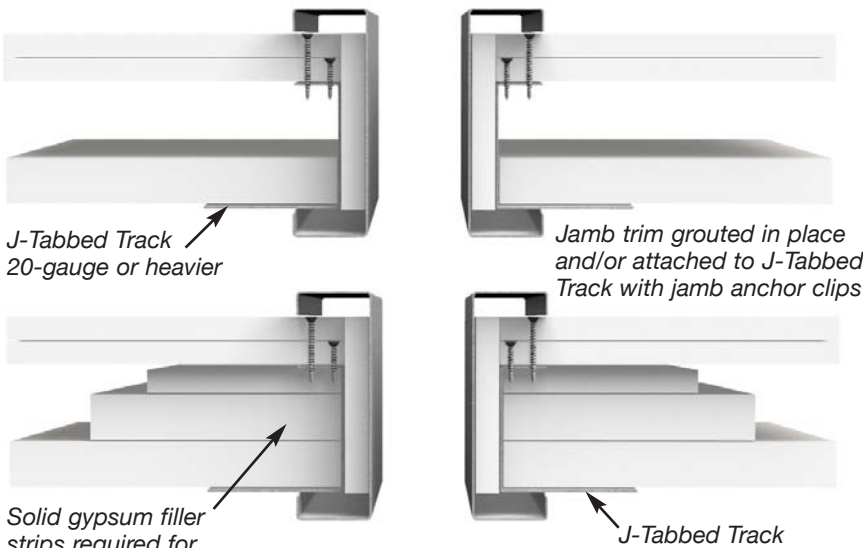


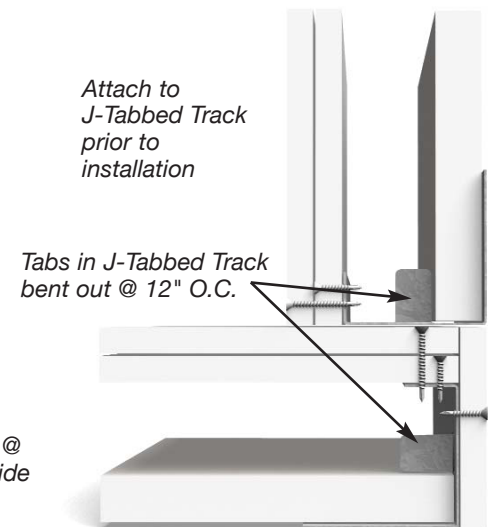
Door Opening Room Side



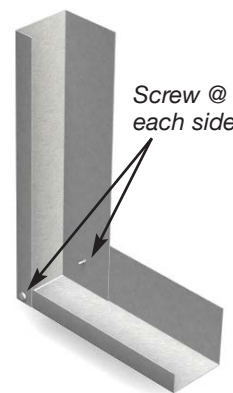
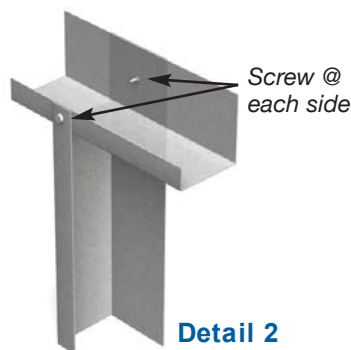
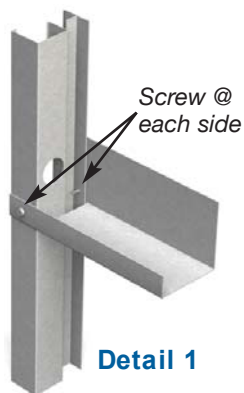
Outside Corner



Cross Section



Inside Corner



NOTES:

Openings and Penetrations in Shaftwall/Stairwell systems: As tested per ASTM E119/UL 263, these systems do not contain any Openings or Penetrations.

a. All Opening and Penetration covering assemblies must be approved for use per Section 713.7 and 713.8 of the 2018 IBC.

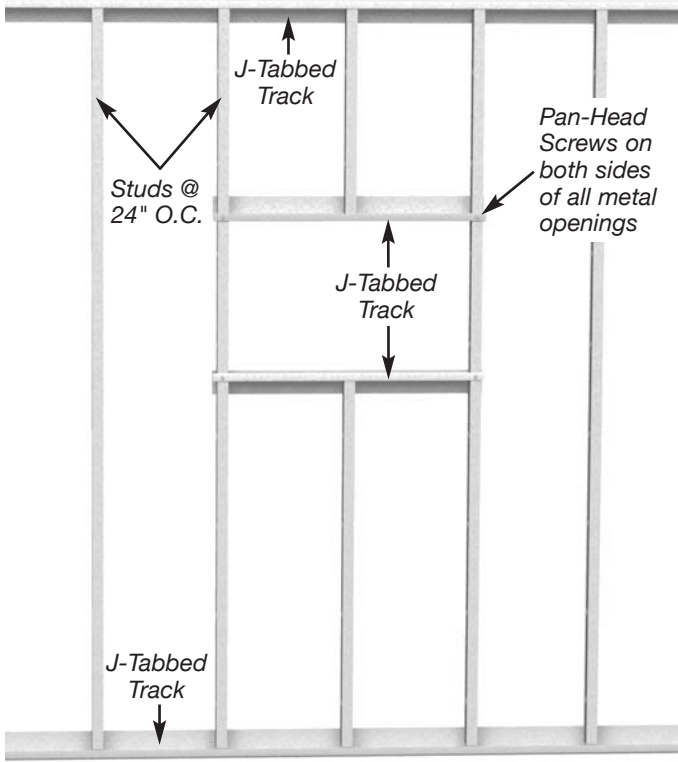
b. Any Opening or Penetration framing detail provided here is not a tested detail, but a generally accepted practice coinciding with approved assemblies in noted a. above.

c. CT-Studs are Nonloadbearing, and where an Opening or Penetration is required the J-Tabbed Track must be supported by a designed structural element.

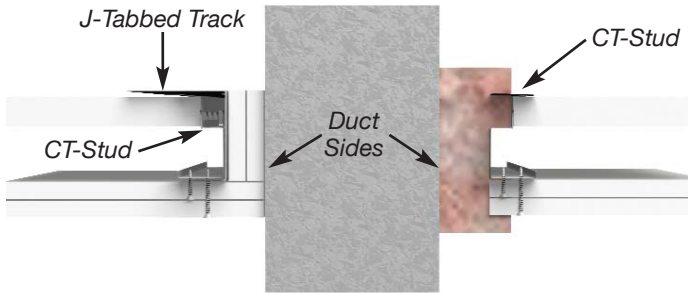
d. All Opening or Penetration fire rated assemblies require independent structural support, as the Shaftwall/Stairwell systems are not designed or tested under this condition.

Mechanical Penetrations

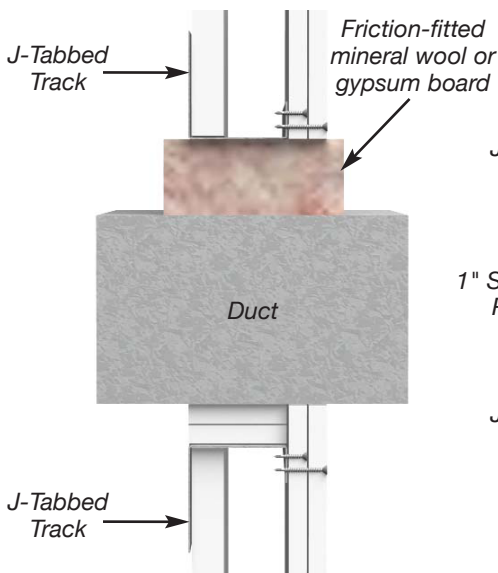
Duct Opening Room Side



Alternate Duct Detail

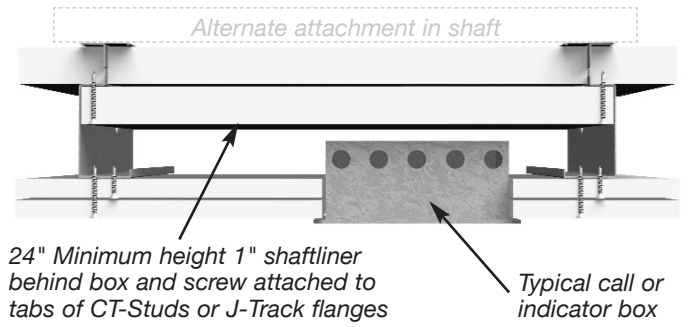


Alternate Duct Detail

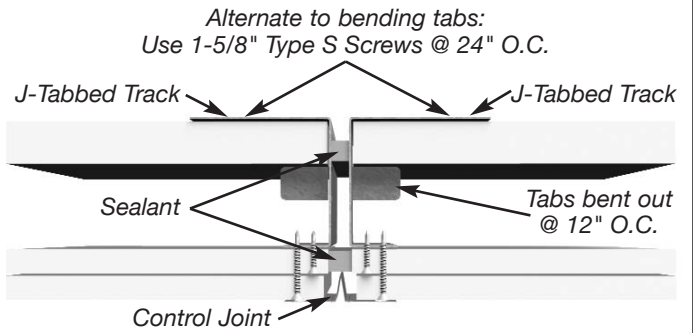


Accessory Details

NOTE: Cavity depth requirements may vary according to services being installed



Floor Indicator Box

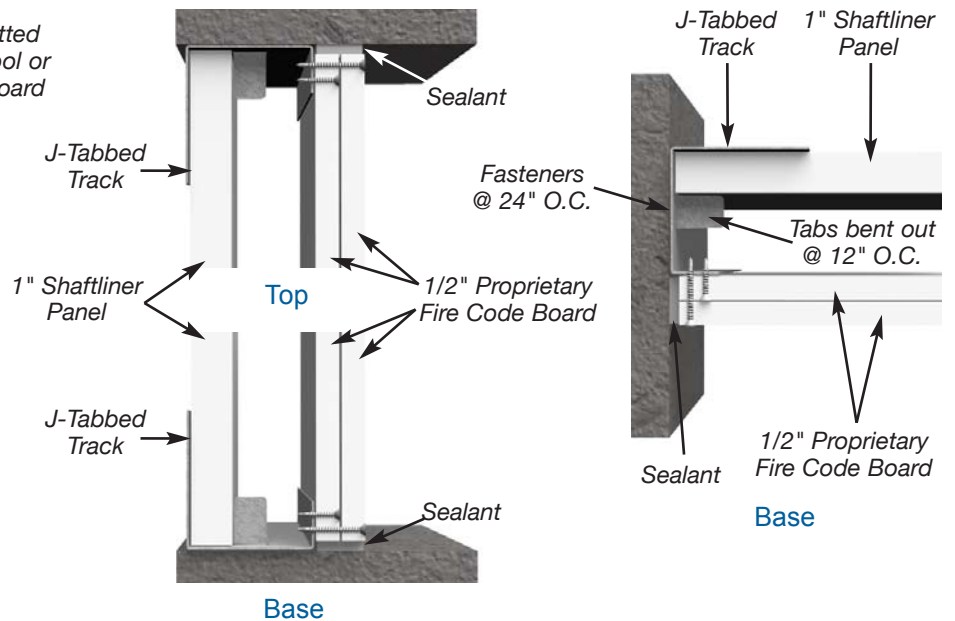


Control Joint



Install with 4" minimum oversize inside cavity or on shaft side

Call Box—Outlet Box—Mail Chute



NOTES:

- Openings and Penetrations in Shaftwall/Stairwell systems: As tested per ASTM E119/UL 263, these systems do not contain any Openings or Penetrations.
- All Opening and Penetration covering assemblies must be approved for use per Section 713.7 and 713.8 of the 2018 IBC.
- Any Opening or Penetration framing detail provided here is not a tested detail, but a generally accepted practice coinciding with approved assemblies in noted a. above.
- CT-Studs are Nonloadbearing, and where an Opening or Penetration is required the J-Tabbed Track must be supported by a designed structural element.
- All Opening or Penetration fire rated assemblies require independent structural support, as the Shaftwall/Stairwell systems are not designed or tested under this condition.