

**PROJECT INFORMATION:**

Project Name: \_\_\_\_\_  
 City, State: \_\_\_\_\_

**CONTACT INFORMATION:**

Company Name: \_\_\_\_\_  
 Contact Name: \_\_\_\_\_  
 Phone: \_\_\_\_\_ Fax: \_\_\_\_\_

**PROJECT DESIGN INFORMATION:**

\* Building Code & Year:  IBC 2006  IBC 2003  ASCE 7-98  ASCE 7-02  Other: \_\_\_\_\_

\* Basic wind speed: \_\_\_\_\_ mph

\* Exposure Category:  C  D  E

\* Importance Factor:  1.0  1.15 Is building considered an essential facility? Y / N

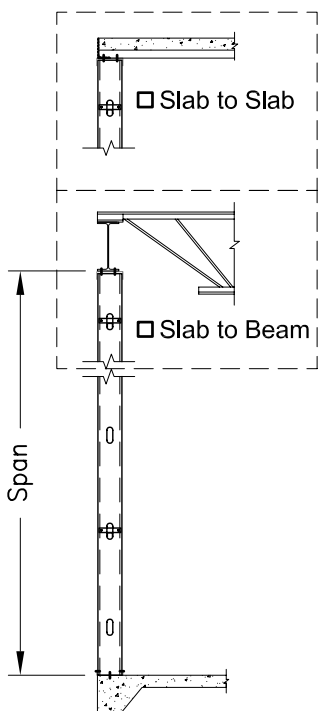
- Building Mean Roof Height (Average Building Height): \_\_\_\_\_

- Roof Slope: \_\_\_\_\_

- Wall Stud Spacing:  12"o.c.  16"o.c.  24"o.c.

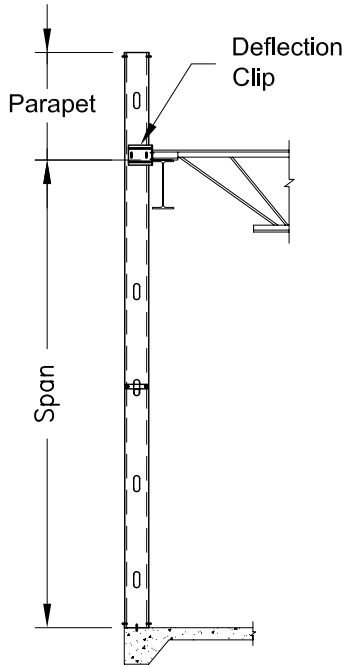
Deflection Guide:	
Brick	L/600
Stucco	L/360
E.I.F.S.	L/240

\* This information may be found in the General Notes section of the Structural Drawings.



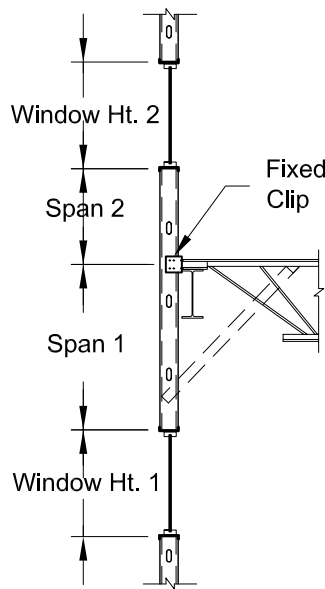
**Simple Span**

- Span: \_\_\_\_\_
- Deflection: L/ \_\_\_\_\_
- Stud Depth: \_\_\_\_\_



**Parapet Framing**

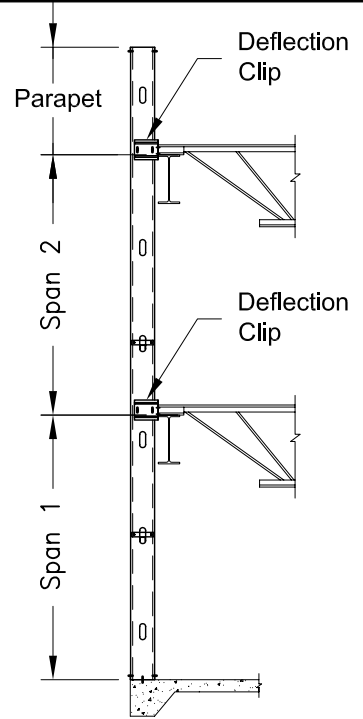
- Span: \_\_\_\_\_
- Parapet: \_\_\_\_\_
- Deflection: L/ \_\_\_\_\_
- Stud Depth: \_\_\_\_\_



**Spandrel Framing**

(Headers/Kicker will NOT be designed)

- Span 1: \_\_\_\_\_ 2: \_\_\_\_\_
- Win. Ht. 1: \_\_\_\_\_ 2: \_\_\_\_\_
- Deflection: L/ \_\_\_\_\_
- Stud Depth: \_\_\_\_\_



**By-pass Framing**

- Span 1: \_\_\_\_\_
- Span 2: \_\_\_\_\_
- Parapet: \_\_\_\_\_
- Deflection: L/ \_\_\_\_\_
- Stud Depth: \_\_\_\_\_

**For ClarkDietrich Engineering Only:**

- Wall Stud Size: \_\_\_\_\_ ( ksi ) @ \_\_\_\_\_ "o.c.

- Lateral Bracing: \_\_\_\_\_



**Curtain Wall**  
 SIZING SHEET

FAX TO:  
**(678) 990-3542**  
 TECH HOTLINE:  
**(888) 437-3244**